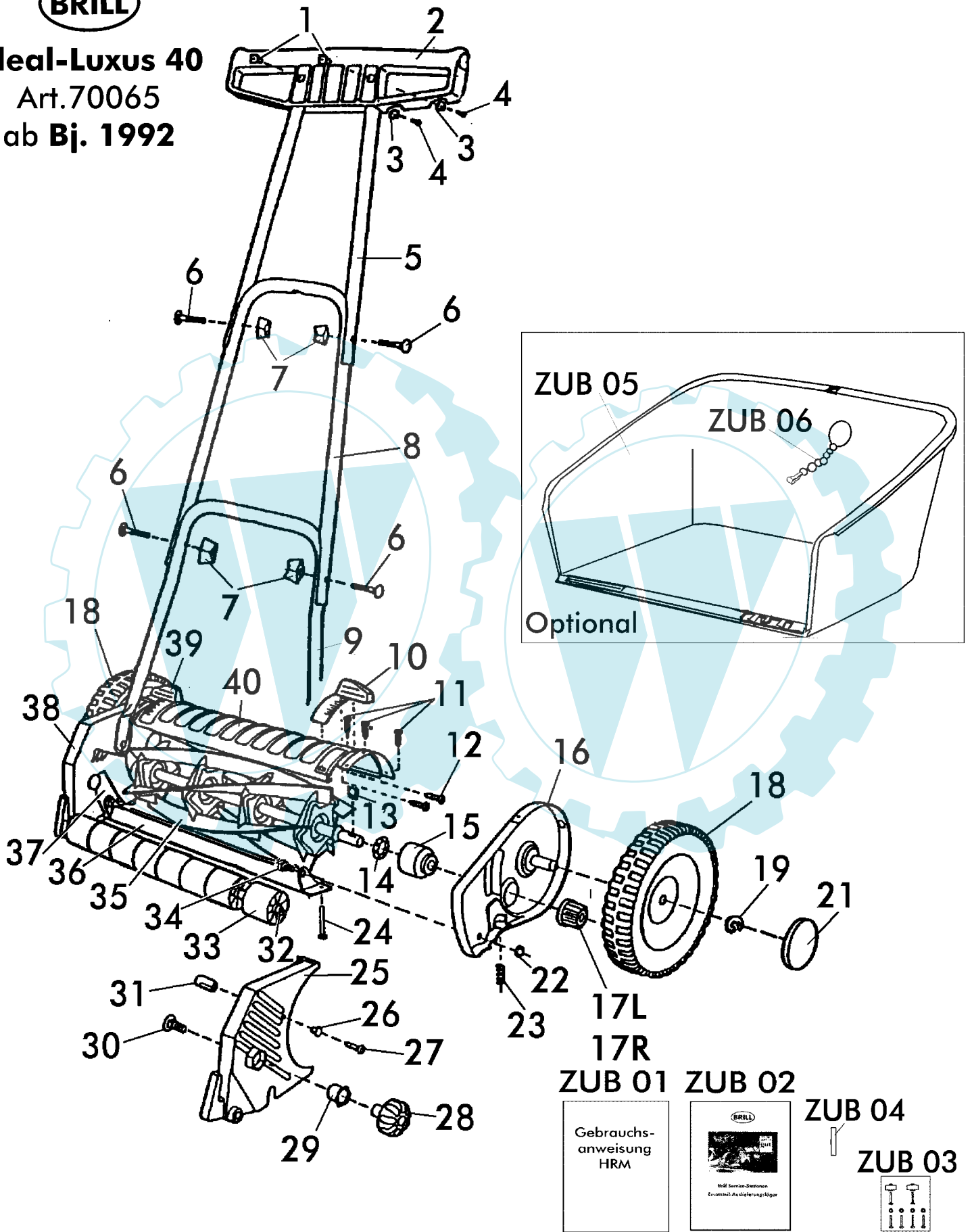




Ideal-Luxus 40
Art.70065
ab Bj. 1992



| 2/2 | HANDRASENMAEHER | | | |
|------------------------------|-------------------------------------|-----------------------------------|---|------------------------|
| 2003 | HAND MOWERS | | | |
| Upd: 07.03 | Tondeuse á main | | IDEAL - LUXUS 40 - Art.70065 ab Baujahr 1992 | |
| Bild Nr. REF.N° POS.N° | BEST.-NR. PART-N° N° d. PIECE | BEZEICHNUNG | DESCRIPTION | Anzahl Qty. Qte. |
| 1 | 00865 | GRIFFMUTTER | NUT, GRIP | 2 |
| 2 | 08665 | HRM-HANDGRIFF LOSE NEU | HAND MOWER GRIP | 1 |
| 3 | 00868 | GRIFFKONUS | GRIP CONE | 2 |
| 4 | 07452 | SCHRAUBE S-42162 | SCREW S-42162 | 2 |
| 5 | 09558 | GEST.-HOLM-OBERTEIL `92 | HANDLE UPPER ASSY. | 1 |
| 6 | 06528 | SCHRAUBE DIN 603-5x30 vz | HEX HD SCREW | 4 |
| 7 | 02690 | FLÜGELMUTTER 70060 RAL2002 | WRING NUT 70060 | 4 |
| 8 | 09559 | GEST.-HOLM-MITTELTEIL `92 | HANDLE-MIDDLE | 1 |
| 9 | 09564 | GEST.-UNTERTEIL 40cm (08736) | HANDLE LOWER | 1 |
| 10 | 01067 | SCHIEBEGRIFF RTS | GRIP R.H. | 1 |
| 11 | 00608 | SCHRAUBE | SCREW | 6 |
| 12 | 03469 | BLECHSCHRAUBE DIN 7981 | TRAPP SCREW | 4 |
| 13 | 00451 | SPERRHAKEN | BLOCK-CLAMP | 2 |
| 14 | 00493 | KUGELLAGER | BALL BEARING | 2 |
| 15 | 00521 | WICKELSCHUTZ | DRILL GUARD | 2 |
| 16 | 09610 | SEITENBACKE RTS.KPL. `92 | FRAME R.H. ASSY. | 1 |
| 17 R | 00464 | SPERRZAHNRAD RTS | RATCHET WHEEL /R | 1 |
| 17 L | 00479 | SPERRZAHNRAD LKS | RATCHET WHEEL /L | 1 |
| 18 | 08113 | LAUFRAD KPL. | WHEEL ASSY 00800 | 2 |
| 19 | 06496 | SI-RING DIN 471-15 | SNAP RING D-471 | 2 |
| 21 | 02689 | ABDECKKAPPE 70060 ROT | CAP 70060 | 2 |
| 22 | 06684 | SI-MUTTER DIN 985-8 | HEX. NUT D 985 | 2 |
| 23 | 00682 | FEDER | SPRING | 2 |
| 24 | 00116 | SCHRAUBE M.KUGELKOPF | KNOB SCREW | 2 |
| 25 | 03246 | LAUFROLLENLAGER RTS | REAR ROLLER BEARING R | 1 |
| 26 | 03296 | SCHEIBE 70060/65 | WASHER 70060/65 | 2 |
| 27 | 08260 | SCHRAUBE DIN 7976 | SCREW DIN 7976 | 2 |
| 28 | 00310 | HANDRAD | HANDLE | 2 |
| 29 | 00358 | SPANNTOPF | LOCK SPACER | 2 |
| 30 | 00326 | SCHRAUBE | SCREW | 2 |
| 31 | 00665 | BOLZEN | BOLT | 2 |
| 32 | 00364 | LAUFROLLENACHSE 40 | REAR ROLLER AXLE | 1 |
| 33 | 00441 | LAUFROLLE | Roller | 8 |
| 34 | 03424 | BOLZEN 70060 | Bolt | 2 |
| 35 | 09265 | MESSERWALZE 40 | CUTTING ROLL | 1 |
| 36 | 01366 | UNTERMESSER 40 | BOTTOM BLADE ASSY. 40 | 1 |
| 37 | 09609 | SEITENBACKE LKS. KPL. `92 (01940) | FRAME L.H. ASSY. | 1 |
| 38 | 00533 | LAUFROLLENLAGER LKS | REAR ROLLER BEARING/L | 1 |
| 39 | 01066 | SCHIEBEGRIFF LKS | GRIP L.H. | 1 |
| 40 | 09256 | VERB.-GEHAEUSE (01394) 40 | CONNECTION HOUSING 40 | 1 |
| | | ZUBEHÖR: | ACCESSORIES | |
| ZUB 01 | 09332 | HRM-ANLEITUNG | Instruction for use | 1 |
| ZUB 02 | 00563 | BRILL-SERVICE-HEFT | Brill Service Booklet | 1 |
| ZUB 03 | 08181 | BEFESTIG.-TEILE KPL.(70060) | MOUNTING SCREW ASSY. | 1 |
| ZUB04 | 08183 | SCHNITTEINSTELLEHRE 0,05 | ADJUSTING GAUGE 0,05 | 1 |
| ZUB 05 | 07030 | KUNSTST.-FANGKORB Z.HRM | GRASS CATCHER | 1 |
| ZUB 06 | 01288 | KETTE Z. FANGKORB,KPL. | GRAS BOX LINKAGE ASSY. | 1 |